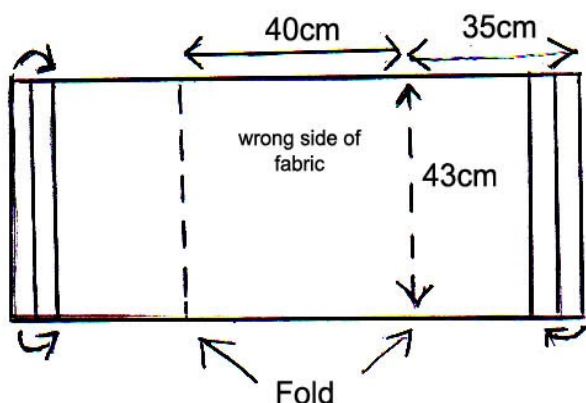


HOW TO MAKE AN ENVELOPE CUSHION BY Sewgirl

METHOD 1 (1 PIECE)



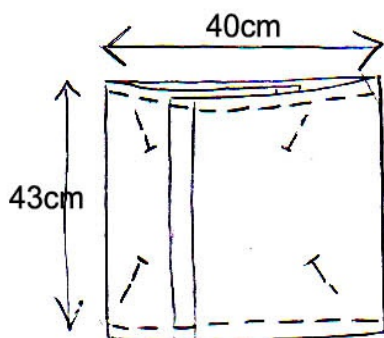
To Make a 40cm (16") envelope cushion where its just one long piece folded.

1. Cut a rectangle 112cm x 44cm. With wrong side facing, make a hem each short side ie. fold 1.5cm over, press, then fold 1.5cm again. press, pin then sew along 6mm from-folded edge.

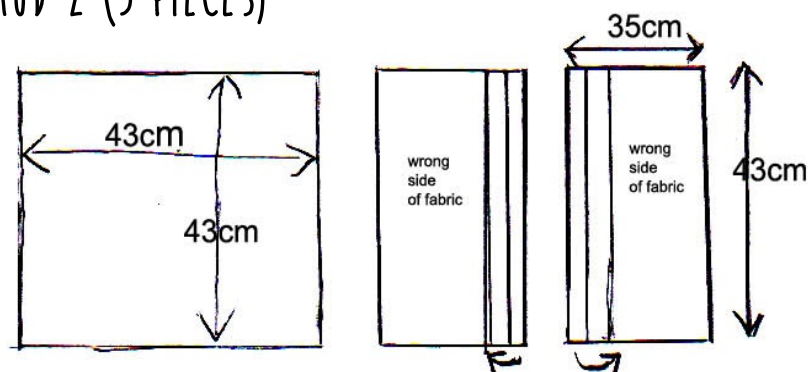
2. Fold over each side, overlapping on back so you have a square of 44cm x 40cm.

Pin, then sew along top and bottom 1.5cm seam allowance.

Remove pins. Nick all corners. Turn inside out. Voila!



METHOD 2 (3 PIECES)



Where you have 1 front piece and 2 backs for a 40cm (16") cushion.

1. Cut 1 piece 43cm x 43cm, and two pieces of 43cm x 35cm each.

2. Make a hem on each long side of back pieces as above.

3. Place front piece on a table with right side facing. Place one back piece on top of front panel with wrong side of fabric facing at far left side, with hem at right hand side.

4. Repeat for other back piece but place at the right side of front panel. Pin all around. Tack to hold. Mark corner turning points with a pencil.

5. Sew all around 1.5cm in from edge. Nick all corners. Remove tacking.

6. Turn inside out. Et Voila!

